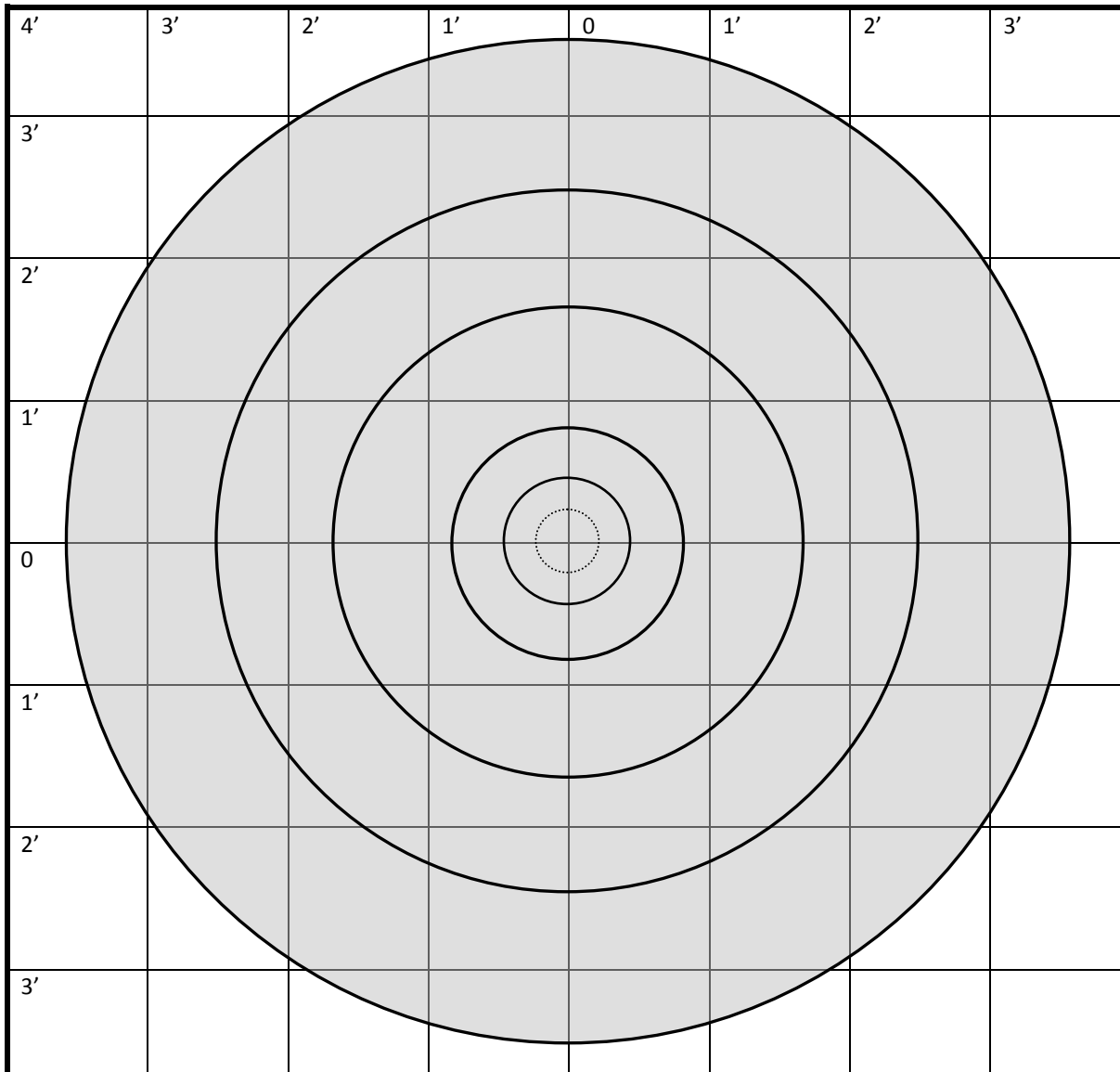


300m/300yds AUST ICFRA

Date: _____ Location: _____

Rifle: _____ Ammo: _____

Start Elev: _____ Foresight: _____



Direction Strength	12.30 	1.00 	1.30 	2.00 	3.00
20	1	2 ¼	3	3 ¾	4 ½
16	¾	1 ¾	2 ½	3	3 ½
12	¾	1 ¼	1 ¾	2 ¼	2 ¾
8	½	1	1 ¼	1 ½	1 ¾
4	¼	½	½	¾	1

Shot	Score	Wind	Elev
A			
B			
1			
2			
3			
4			
5			
6			
7			
8			
9			
10			
11			
12			
13			
14			
15			
TOTAL:		Final Elev:	

Approximate Elev Settings	
300yds	0
300m	½
400yds	3
400m	3 ½
500yds	7 ½
500m	8 ¼
600yds	11 ½
600m	12 ½
700yds	17
700m	18 ½
800yds	19
800m	26
900yds	28 ½
900m	38
1000yds	38

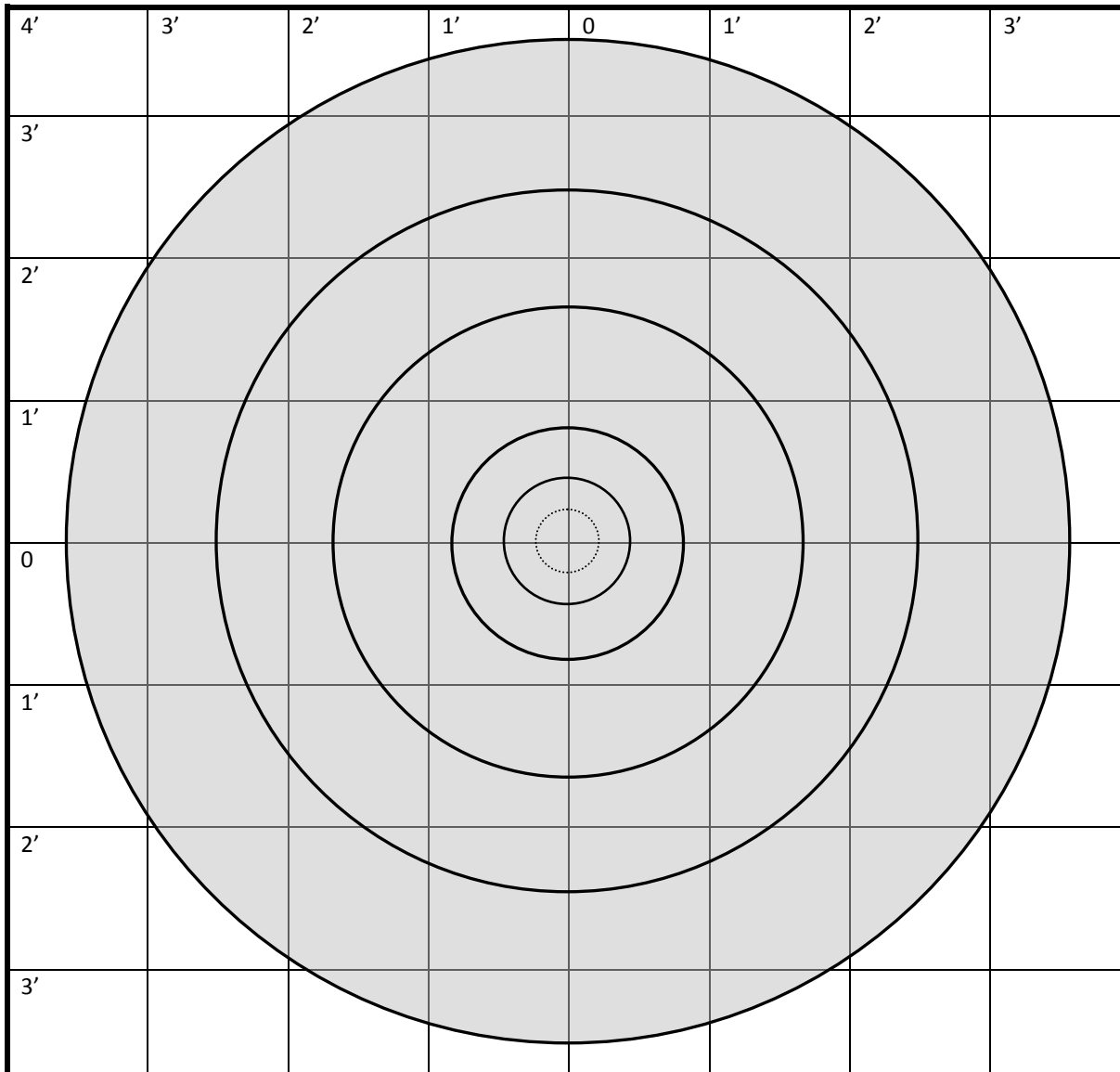
Approximate Tgt Dimensions (Inches)	
Aim	24
Super V	1.5
Central	3
Bull	6
Inner	11
Magpie	17
Outer	24

300m/300yds AUST ICFRA

Date: _____ Location: _____

Rifle: _____ Ammo: _____

Start Elev: _____ Foresight: _____



Direction Strength	12.30 	1.00 	1.30 	2.00 	3.00
20	1	2 ¼	3	3 ¾	4 ½
16	¾	1 ¾	2 ½	3	3 ½
12	¾	1 ¼	1 ¾	2 ¼	2 ¾
8	½	1	1 ¼	1 ½	1 ¾
4	¼	½	½	¾	1

Shot	Score	Wind	Elev
A			
B			
1			
2			
3			
4			
5			
6			
7			
8			
9			
10			
11			
12			
13			
14			
15			
TOTAL:		Final Elev:	

Approximate Elev Settings	
300yds	0
300m	½
400yds	3
400m	3 ½
500yds	7 ½
500m	8 ¼
600yds	11 ½
600m	12 ½
700yds	17
700m	18 ½
800yds	19
800m	26
900yds	28 ½
900m	38
1000yds	38

Approximate Tgt Dimensions (Inches)	
Aim	24
Super V	1.5
Central	3
Bull	6
Inner	11
Magpie	17
Outer	24

