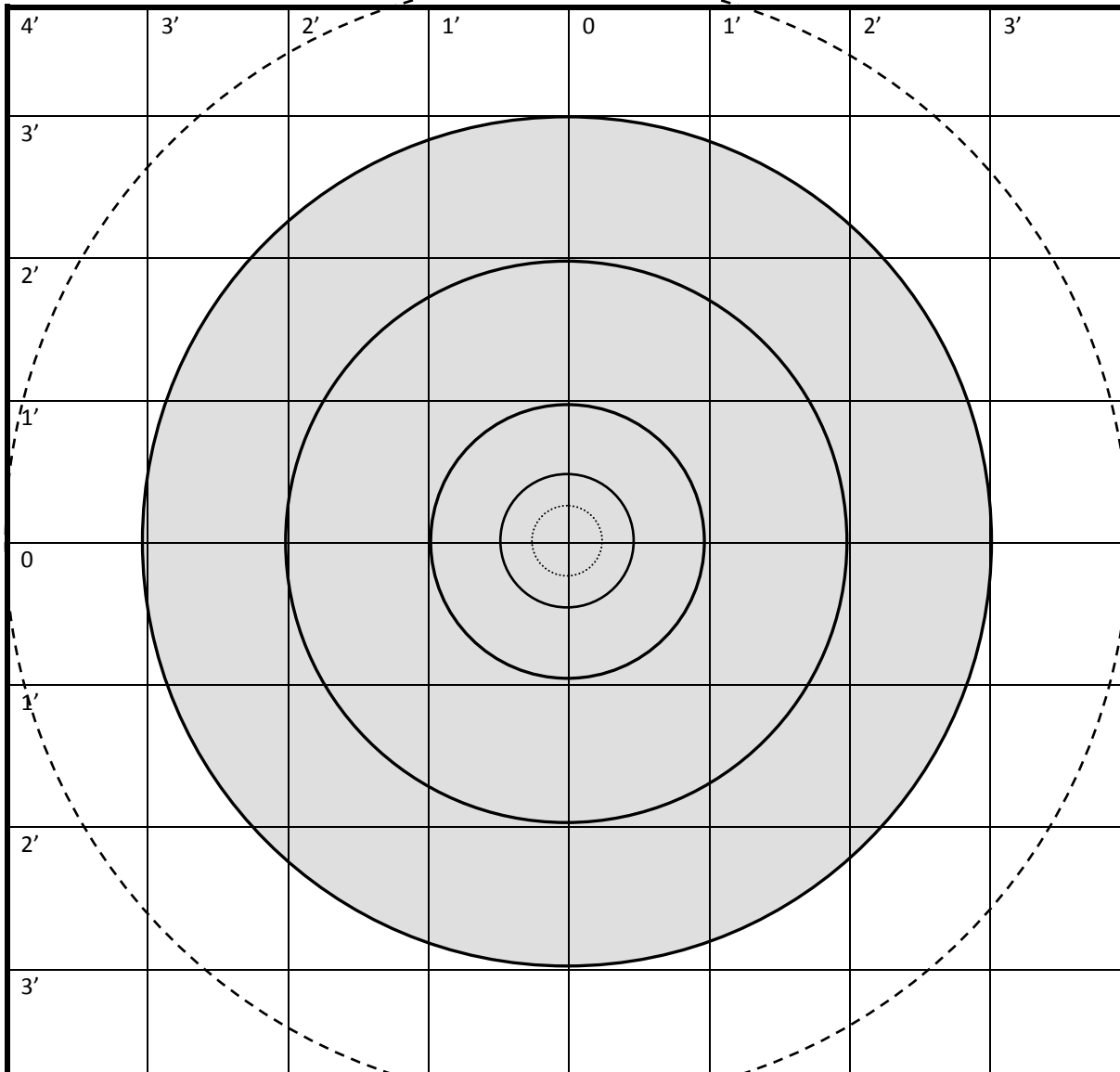


600m/700yd AUST ICFRA

Date: _____ Location: _____

Rifle: _____ Ammo: _____

Start Elev: _____ Foresight: _____



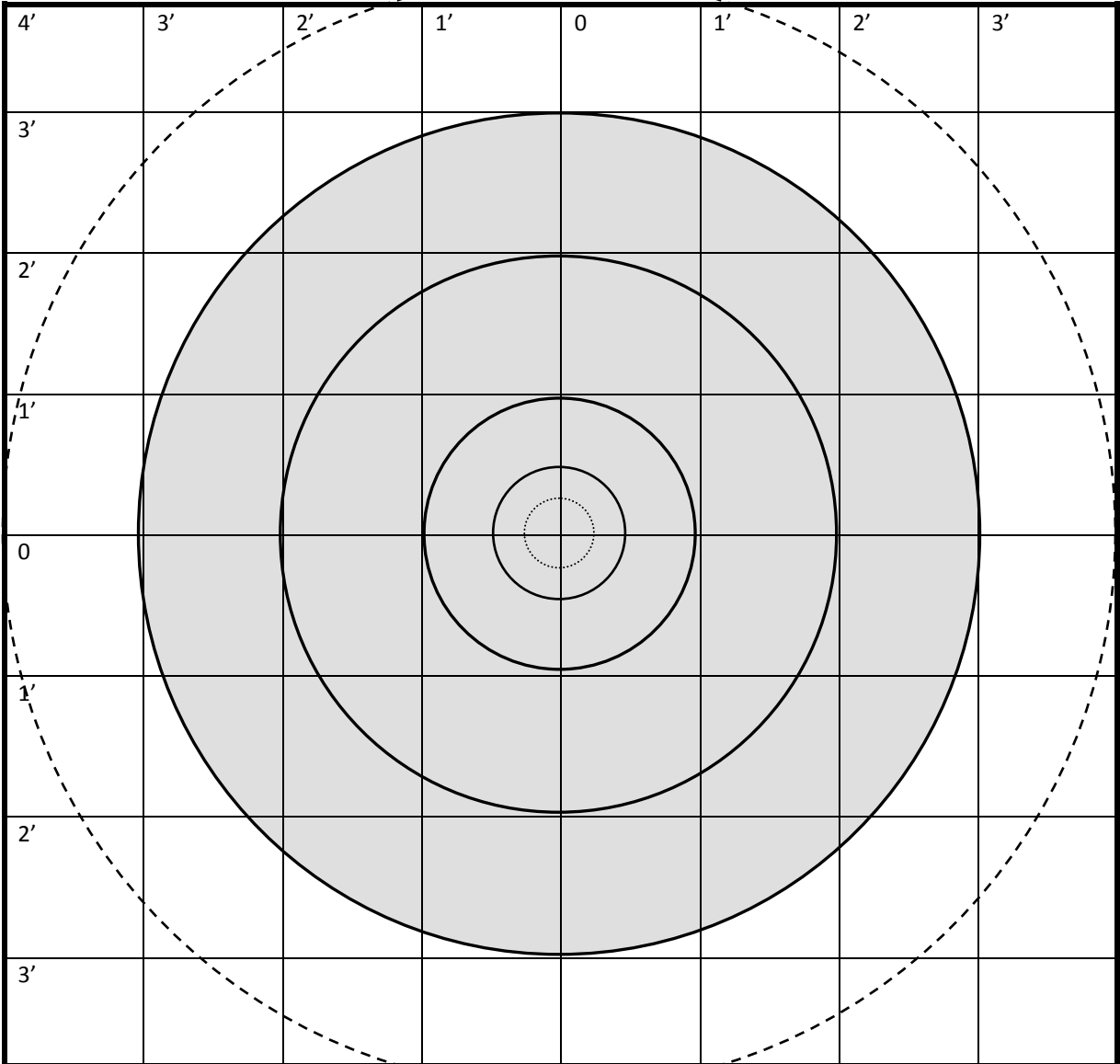
Direction Strength	12.30 ⊗	1.00 ⊗	1.30 ⊗	2.00 ⊗	3.00 ⊖
20	3	6 ¼	8 ¾	10 ¾	12 ¼
16	2 ½	5	7	8 ½	9 ¾
12	1 ¾	3 ¾	5 ¼	6 ¼	7 ¼
8	1 ¼	2 ½	3 ½	4 ¼	4 ¾
4	½	1 ¼	1 ¾	2	2 ½

Shot	Score	Wind	Elev
A			
B			
1			
2			
3			
4			
5			
6			
7			
8			
9			
10			
11			
12			
13			
14			
15			
TOTAL:		Final Elev:	

Approximate Elev Settings	
300yds	0
300m	½
400yds	3
400m	3 ½
500yds	7 ½
500m	8 ¼
600yds	11 ½
600m	12 ½
700yds	17
700m	18 ½
800yds	19
800m	26
900yds	28 ½
900m	38
1000yds	38

Approximate Tgt Dimensions (Inches)	
Aim	40
Super V	3
Central	6
Bull	13
Inner	26
Magpie	40
Outer	52

600m/700yd AUST ICFRA



Direction Strength	12.30 ⊗	1.00 ⊗	1.30 ⊗	2.00 ⊗	3.00 ⊖
20	3	6 ¼	8 ¾	10 ¾	12 ¼
16	2 ½	5	7	8 ½	9 ¾
12	1 ¾	3 ¾	5 ¼	6 ¼	7 ¼
8	1 ¼	2 ½	3 ½	4 ¼	4 ¾
4	½	1 ¼	1 ¾	2	2 ½

Date: _____ Location: _____

Rifle: _____ Ammo: _____

Start Elev: _____ Foresight: _____

Shot	Score	Wind	Elev
A			
B			
1			
2			
3			
4			
5			
6			
7			
8			
9			
10			
11			
12			
13			
14			
15			
TOTAL:		Final Elev:	

Approximate Elev Settings	
300yds	0
300m	½
400yds	3
400m	3 ½
500yds	7 ½
500m	8 ¼
600yds	11 ½
600m	12 ½
700yds	17
700m	18 ½
800yds	19
800m	26
900yds	28 ½
900m	38
1000yds	38

Approximate Tgt Dimensions (Inches)	
Aim	40
Super V	3
Central	6
Bull	13
Inner	26
Magpie	40
Outer	52

